

Product Description

- ◆ Zero Crossing or Random-on Switching
- ◆ SCR Output
- ◆ DC or AC Input
- ◆ Load Current: 10A, 20A, 30A, 40A, 50A, 75A
- ◆ Dielectric Strength: 4000Vrms
- ◆ Built-in RC Snubber Circuit
- ◆ With Integrated Heatsink, Width 30mm
(for 10A-30A), 50mm (for 40A) or 105 mm(50A, 75A)
- ◆ 35mm Rail DIN(EN50022)
- ◆ LED Indicator
- ◆ RoHS Compliant



Ordering Information

KSV	480	D	30	R	-L	M	(XXX)
KSV Series ⁽¹⁾	Load Voltage 240: 240VAC 480: 480VAC 600: 600VAC	D: DC Control A: AC Control	Load Current 10:10Amp 20:20Amp 30:30Amp 40:40Amp 50:50Amp 75:75Amp	Switching Mode Blank: Zero Crossing R: Random-on	L: LED	M: MOV T: TVS (Optional)	Customized Code (156): Without RC

General Specifications

Control Voltage Range	DC Control	4-32VDC
	AC Control	90-280VAC
Must Turn-on Voltage	DC Control	4VDC
	AC Control	90VAC
Must Turn-off Voltage	DC Control	1VDC
	AC Control	15VAC
Maximum Input Current	25mA	

Load Voltage Range	240VAC	24-280VAC
	480VAC	24-530VAC
	600VAC	24-660VAC
Maximum Turn-on Time	DC Control Random-on	1ms
	DC Control Zero Crossing	10ms
	AC Control	40ms
Maximum Turn-off Time	DC Control	10ms
	AC Control	40ms
Maximum Surge Current (@10ms)	10A	200A
	20A	300A
	30A	500A
	40A	600A
	50A	650A
	75A	750A

General Specifications

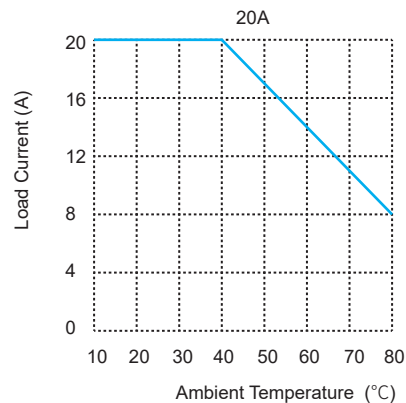
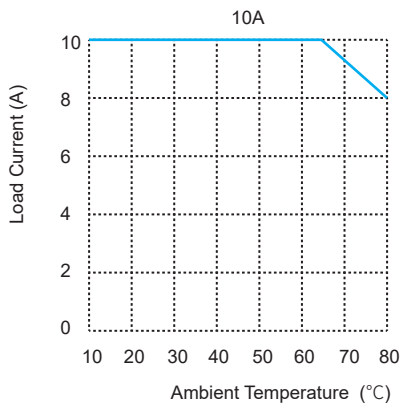
Output Specifications (Ta=25°C)		
Maximum I ² t for Fusing (@10ms)	10A	200A ² s
	20A	450A ² s
	30A	1250A ² s
	40A	1800A ² s
	50A	2112A ² s
	75A	2812A ² s
Maximum Transient Overvoltage	240VAC	600Vpk
	480VAC	1200Vpk
	600VAC	1600Vpk
Maximum Off-State Leakage Current@Rated Load Voltage	KSV... Series	10mA
	KSV...(156) Series	0.1mA
Maximum On-State Voltage Drop@Rated Current	1.6Vrms	
Minimum Off-State dv/dt@Maximum Rated Voltage	500V/μs	

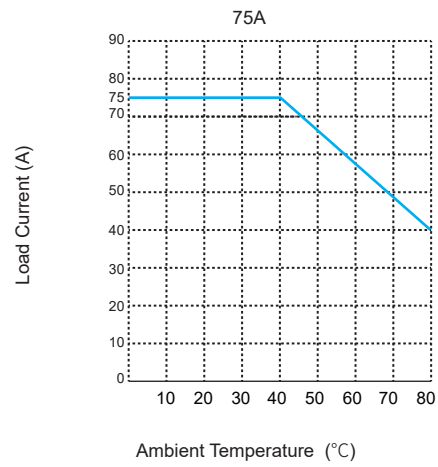
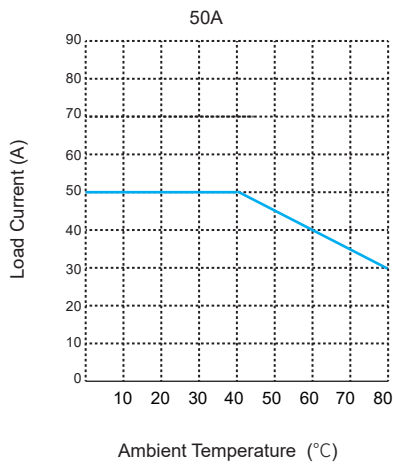
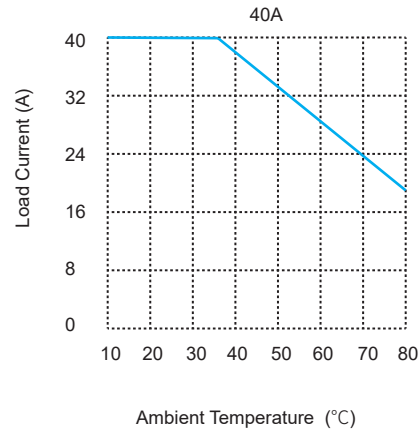
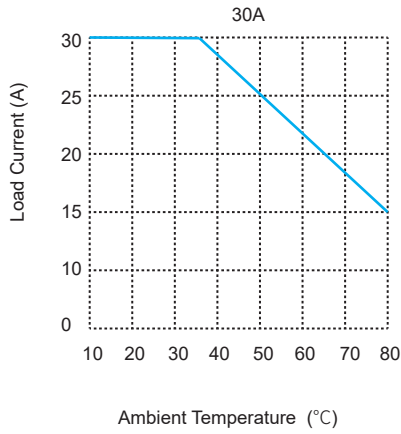
General Specifications (Ta=25°C)		
Dielectric Strength (50/60Hz)	Input/Output	4000Vrms
	Input, output/Base	2500Vrms
Minimum Insulation Resistance (@500VDC)	1000MΩ	
Minimum Power Factor (at Maximum load)	0.5	
Ambient Temperature Range	-30°C ~ +80°C	
Storage Temperature Range	-30°C ~ +100°C	
Weight (Typical)	10A/20A/30A	355g
	40A	540g
	50A	1030g
	75A	1062g

Applications

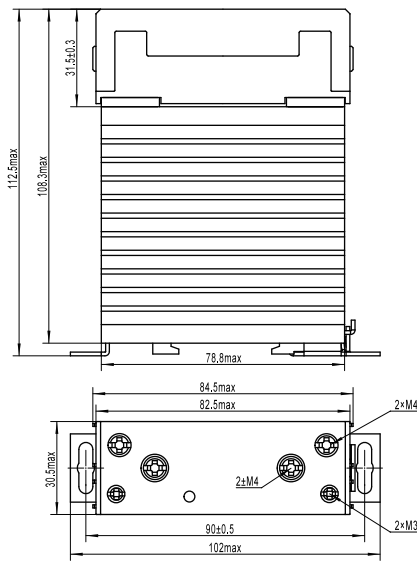
Suitable for Temperature Chamber, Injection Molding Machine, Packaging Machine, and etc.

Thermal Derating Curve

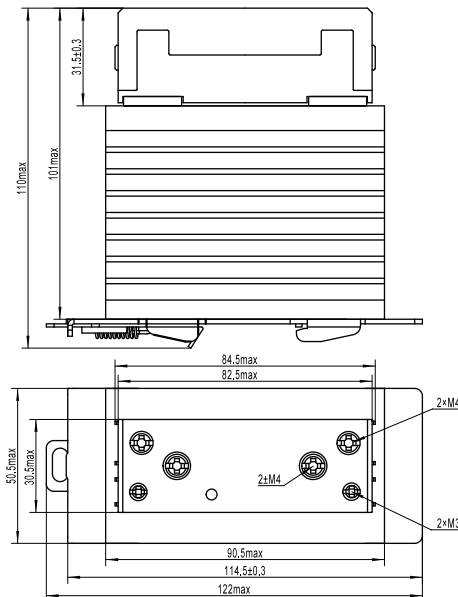




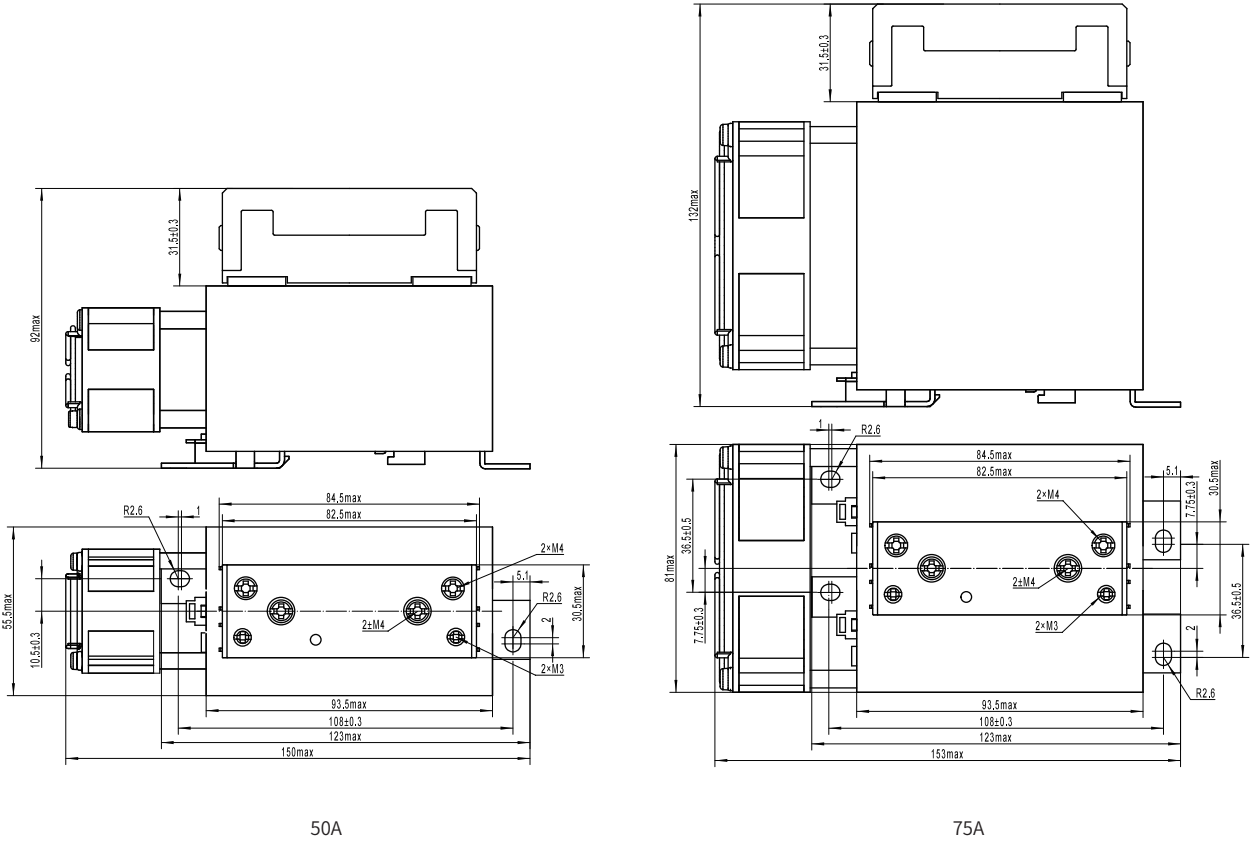
Outline Dimensions



10-30A

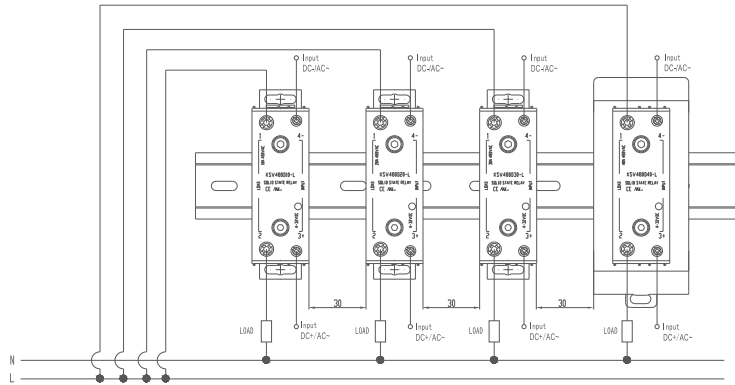


40A



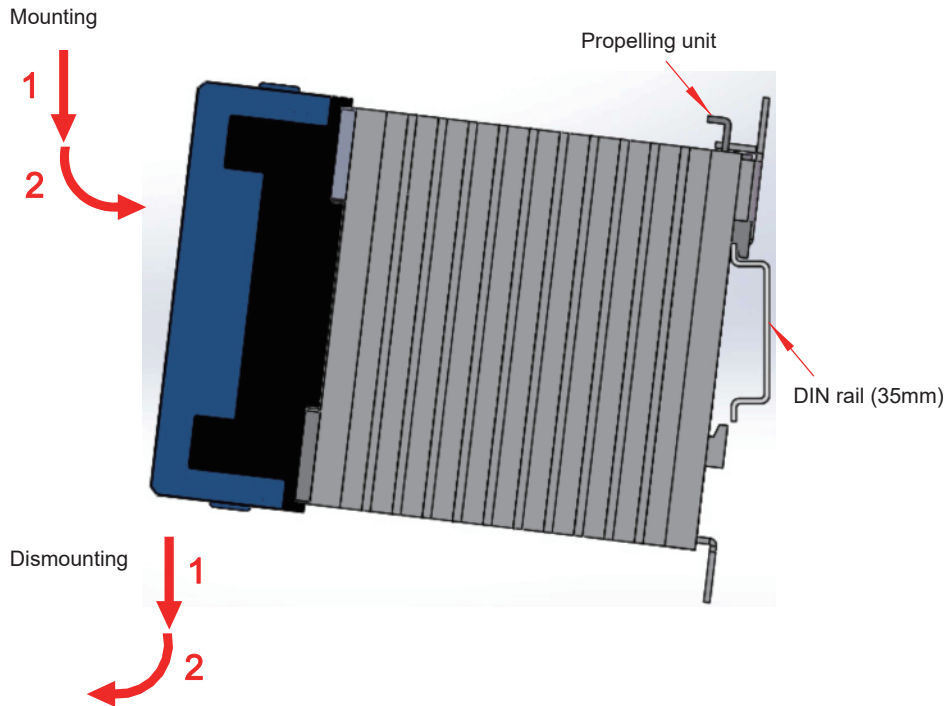
Connection Example

When mounting relays side by side please see recommended minimum spacing below.



Mounting

Mounting and dismounting on DIN rail without any tool.



General Notes

1. SSR's carrying load capacity is related to the operation ambient temperature and heat dissipation condition, when there are many pieces SSR installed closely, please refer to the Thermal Derating Curve for derating.
2. When connection wiring to SSR, please ensure screws are torqued down properly. Please refer to the torque requirement as below.

		INPUT TERMINAL (3, 4)	LOAD TERMINAL (1, 2)
Recommended Torque		0.6N·m	1N·m
Stripping Length		7mm	10mm
Optional Wire	Single Core Cable	1x0.5~2.5mm ² 2x0.5~1mm ²	2x1.5~6mm ²
	Multi-core Cable (with ferrule)	1x0.5~2.5mm ² 2x0.5~1mm ²	1x1.5~10mm ² 2x1.5~6mm ²

! Warnings

1. The product's side panels may be hot, allow the product to cool before touching.
2. Disconnect all power before installing or working with this equipment.
3. Verify all connections and replace all covers before turning on power.

Certification Standards

Certification	Test Standard
UL	UL508
CE	EN 60947-5-1:2017
	EN IEC 60947-1:2021
	EN 60947-4-3:2014