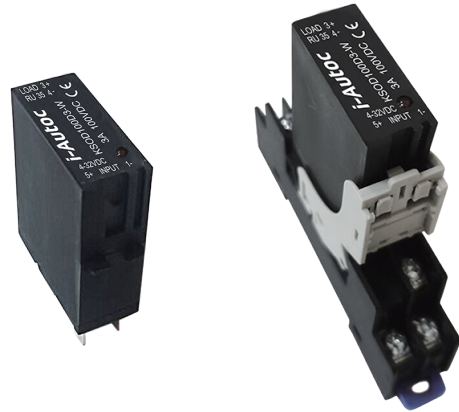


Product Description

- ◆ MOSFET Output or Transistor Output
- ◆ Control Voltage: 4-32VDC
- ◆ Load Voltage: 100VDC、200VDC、400VDC
- ◆ Load Current: 3A、5A、10A、16A
- ◆ Dielectric Strength: 2500Vrms
- ◆ RoHS Compliant
- ◆ Plug in installation
- ◆ Optional base mounting
- ◆ Photoelectric isolation



Ordering Information

KSOD	100	D	3	-W	D	(XXX)
KSOD Series ⁽¹⁾	Load Voltage 100:100VDC 200:200VDC 400:400VDC	DC Control	Load Current 3:3Amp 5:5Amp 10:10Amp 16:16Amp	Control Voltage W: 4-32VDC	Accessories D: With the base Blank: Without the base	Customized Code

(1) Part numbers available are listed in the table below.

Model	3A	5A	10A	16A
100VDC	KSOD100D3-W(D)	KSOD100D5-W(D)	KSOD100D10-W(D)	KSOD100D16-W(D)
200VDC		KSOD200D5-W(D)		
400VDC	KSOD400D3-W(D)			

General Specifications

Input Specifications (Ta=25°C)	
Control Voltage Range	4-32VDC
Must Turn-on Voltage	4VDC
Must Turn-off Voltage	1VDC
Maximum Input Current	18mA (@32VDC)

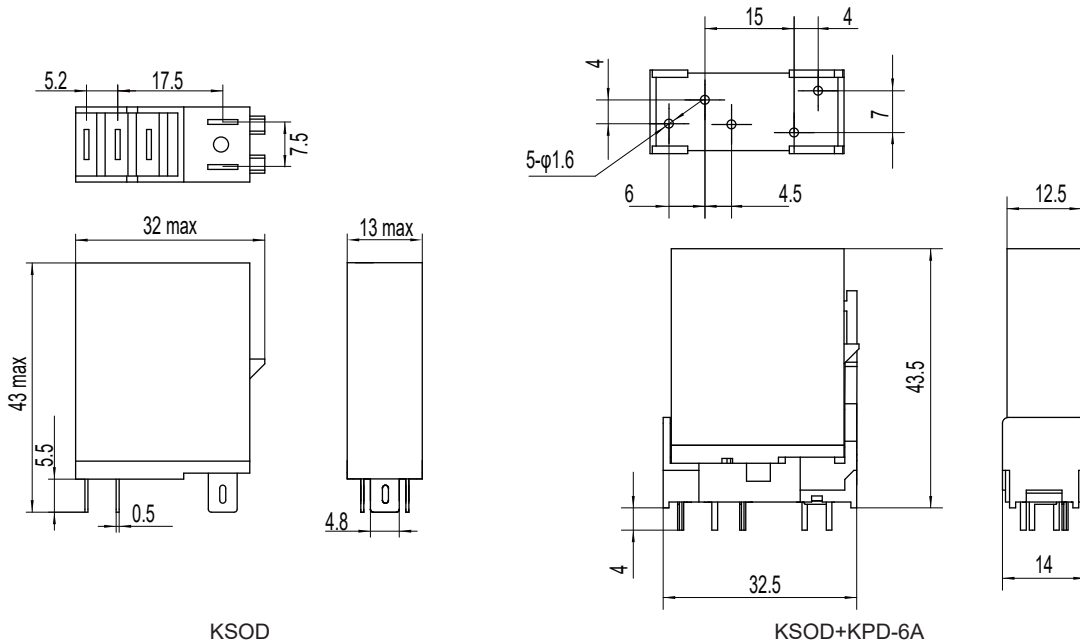
Output Specifications (Ta=25°C)		
Maximum Transient Overvoltage	100D3	150Vpk
	100D5	150Vpk
	100D10/100D16	100Vpk
	200D5	250Vpk
	400D3	600Vpk
TVS Protection Voltage	100D5	105-116VDC
	100D10/100D16	64.6-71.6VDC
	200D5	190-210VDC
	400D3	418-462VDC

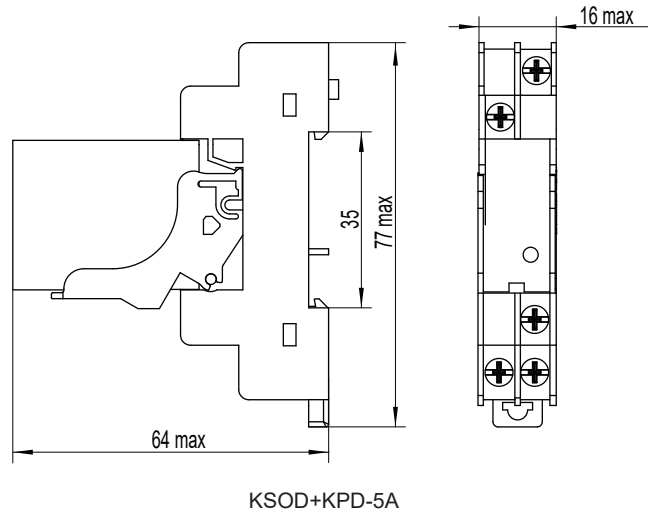
Output Specifications (Ta=25°C)		
Load Current Range	100D3	0.001-3A
	100D5	0.002-5A
	100D10	0.002-10A
	100D16	0.002-16A
	200D5	0.002-5A
	400D3	0.002-3A
Maximum Surge Current (@10 ms)	3A	15A
	5A	25A
	10A	50A
	16A	80A
Maximum Turn-on Time		300μs
Maximum Turn-off Time		300μs
Maximum Off-State Leakage Current@Rated Load Voltage		0.1mA
Maximum On-State Voltage Drop@Rated Current	100D3	1.3VDC
	100D5	60mΩ
	100D10	10mΩ
	100D16	3mΩ
	200D5	60mΩ
	400D3	165mΩ
General Specifications (Ta=25°C)		
Dielectric Strength (50/60Hz)		2500Vrms
Minimum Insulation Resistance (@500VDC)		1000MΩ
Ambient Temperature Range		-30°C ~ +80°C
Storage Temperature Range		-30°C ~ +100°C
Weight (Typical)	Without the base	20g
	With the base	50g

Applications

It is suitable for the isolation and control of weak current to strong current, convenient for all kinds of computers and digital interfaces, widely used in various DC motors, DC power sources and various electromagnetic devices in the field of industrial automation.

Outline Dimensions

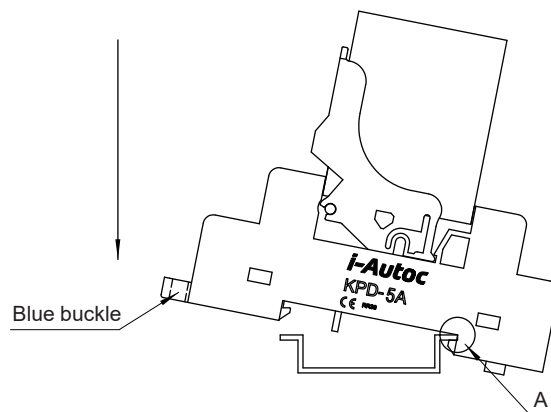




Installation Diagram

Socket installation:

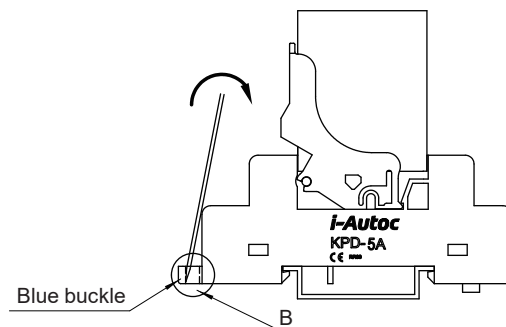
Insert the socket into the din rail from position A and press it in the direction of the arrow for installation, as shown in the installation diagram.



Install

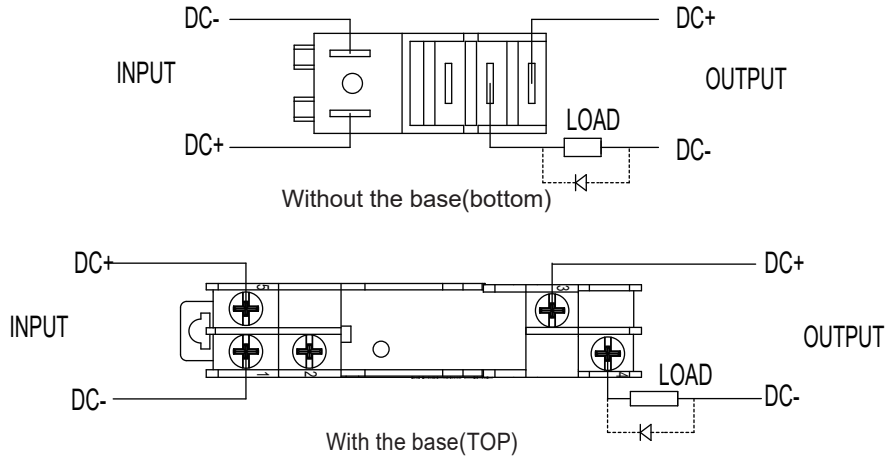
Socket disassembly:

Insert a small flat-head or Phillips screwdriver into socket position B, turn it in the direction of the arrow, lift the socket up, and remove it, as shown in the disassembly diagram.



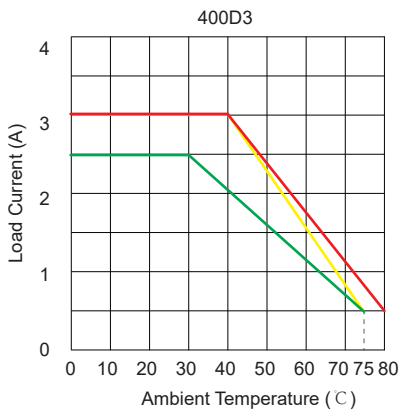
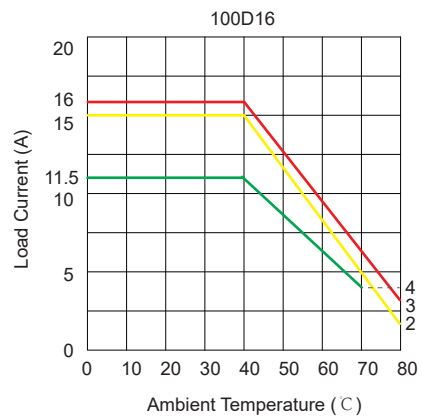
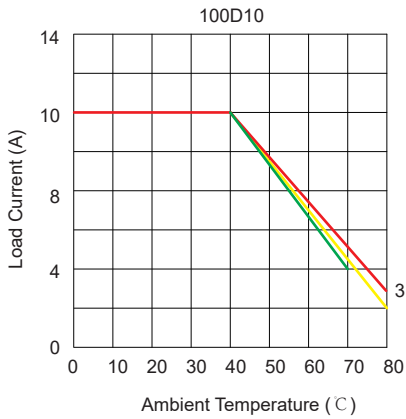
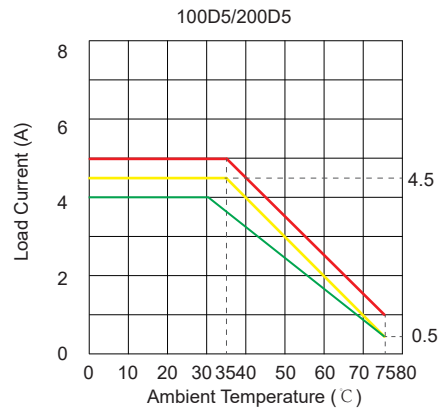
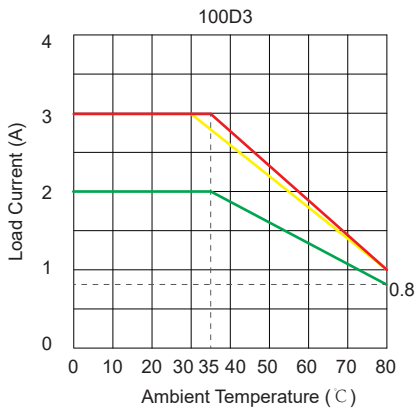
Disassemble

Wiring Diagram

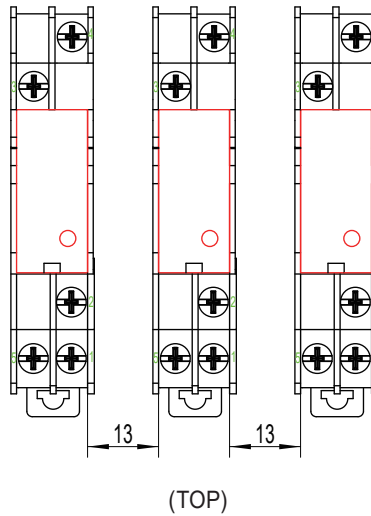


Thermal Derating Curve

Red line: Independent installation, Yellow line: Conventional installation (2), Green line: Close Installation.



Note: (2) Conventional installation distance:



General Notes

1. Soldering must be finished within 10 seconds at 260°C, or finished within 5 seconds at 350°C. Otherwise it may cause damage to the relay.
2. Terminal polarity must be observed. Otherwise it may cause damage to the relay.
3. When ambient temperature is above 25°C, the maximum load current decreases. See thermal derating curve.
4. Capacitive load will produce very high surge current at the moment of conduction, which may lead to the damage of solid state relay due to the excessive surge current. Therefore, if the actual load is capacitive, or the load has paralleled large capacitance, it is strongly recommended that NTC should be connected in series in the load loop to suppress surge current in order to avoid damage to the product.
5. When connection wiring to SSR, please ensure screws are torqued down properly. Recommended torque for screw is 8.8/1.0 in-lb/Nm.
6. For products with a base, the recommended installation torque for base wiring is $(0.8\sim 1.2)\text{N}\cdot\text{m}$.

! Warnings

1. The product's side panels may be hot, allow the product to cool before touching.
2. Disconnect all power before installing or working with this equipment.
3. Verify all connections and replace all covers before turning on power.